

# CITP | CTFR

## Enclosed cam switch IP65

(plastic enclosure)  
1P up to 4P

**Size 0**

**A** 12|20|25

Icons: Switch, IP65



CITP

CTFR



### Technical information

According to IEC 60947-3

According to IEC 60947-3			CITP T12	CITP T20	CTFR TF25	
Rated thermal current	I <sub>th</sub>	A	16	25	32	
Rated insulation voltage	U <sub>i</sub>	V	500	500	690	
Rated impulse withstand voltage	U <sub>imp</sub>	kV	6	6	6	
AC rated operational current	I <sub>e</sub>	U <sub>e</sub> 415V AC21A	A	16	25	32
		U <sub>e</sub> 415V AC22A	A	16	25	32
		U <sub>e</sub> 415V AC23A	A	10	25	20
Rated conditional short-circuit current		kA	10	10	5	
Rated maximum current	g <sub>L</sub> -g <sub>G</sub>	A	25	25	32	
Rated breaking capacity	400V; cos φ=0,45	A	80	100	200	
Rated short-time withstand current (1 sec)		A	240	400	500	
Mechanical durability (according to the standards, for other values please consult)			10000	10000	10000	
Rigid copper conductor		mm <sup>2</sup>	2x4	2x4	1x10	
Flexible copper conductor		mm <sup>2</sup>	2x2,5	2x2,5	1x6	

#### Normal service conditions:

Ambient air temperature (°C): -5°...+40°. Maximum altitude: 2.000 m. Maximum humidity: 90%. Pollution degree: 3 (standard for industrial applications). Rated frequency at AC utilization categories: 50/60 Hz.

Rated duties at utilization categories AC21A, AC22A and AC23A: Continuing (8 hours); uninterrupted.

#### Series | Amp

- CITP0012
- CITP0020
- CTFR0025



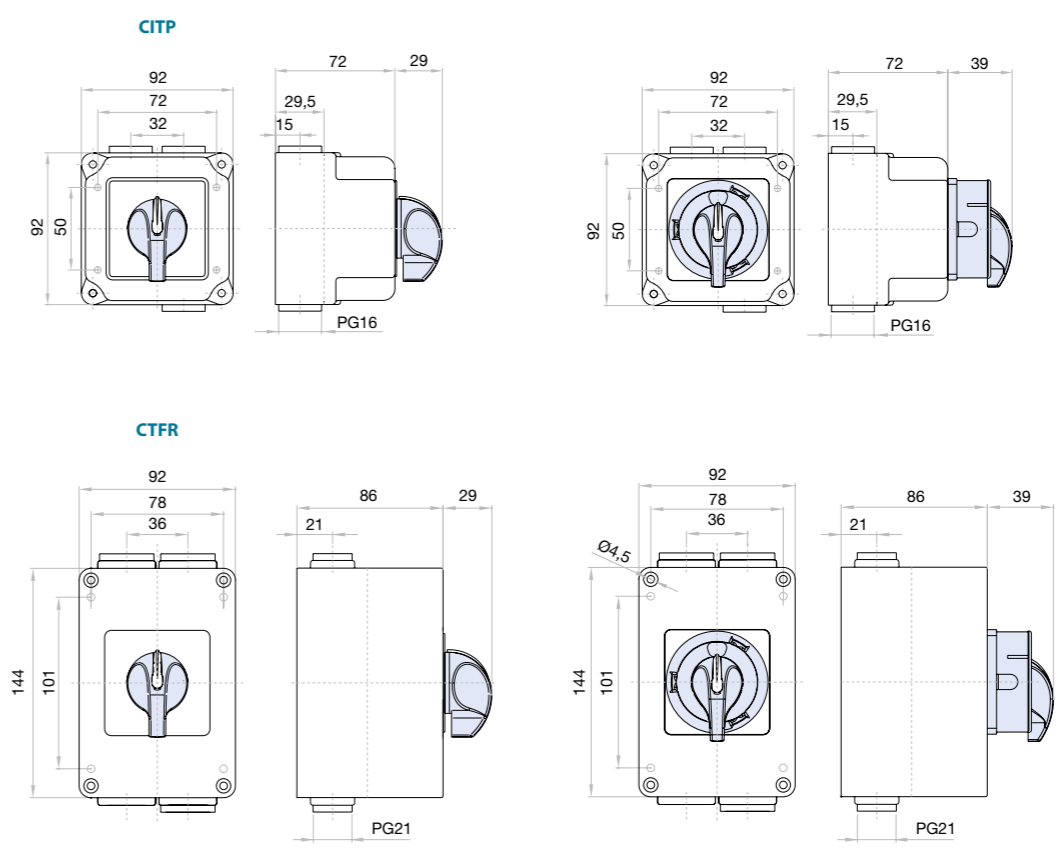
#### Diagram

Poles	Posit. 0 1	Chambers			
		1	2	3	4
1	X	0	0	0	1
2	X	0	0	0	1
3	X	0	0	0	1
4	X	0	0	0	1

#### Plate and handle



### Dimensions (mm)



(in & out by cable gland - not included)

# CITP | CTR

## Enclosed cam switch IP65

(plastic enclosure)  
1P up to 4P

Size 1  
A 16|25|32|40  
IP65



CITP

CTR

### Technical information



According to IEC 60947-3

According to IEC 60947-3			CITP T16	CITP T25	CITP   CTR T32	CITP   CTR T40	
Rated thermal current	I <sub>th</sub>	A	25	32	40	50	
Rated insulation voltage	U <sub>i</sub>	V	690	690	690	690	
Rated impulse withstand voltage	U <sub>imp</sub>	kV	6	6	8	8	
AC rated operational current	I <sub>e</sub>	U <sub>e</sub> 415V AC21A	A	25	32	40	50
		U <sub>e</sub> 415V AC22A	A	25	32	40	50
		U <sub>e</sub> 415V AC23A	A	16	20	25	32
Rated conditional short-circuit current		kA	10	10	10	10	
Rated maximum current	g <sub>L</sub> -g <sub>G</sub>	A	32	32	50	50	
Rated breaking capacity	400V; cos φ=0,45	A	160	200	256	320	
Rated short-time withstand current (1 sec)		A	500	650	800	800	
Mechanical durability (according to the standards, for other values please consult)			10000	10000	10000	10000	
Rigid copper conductor		mm <sup>2</sup>	2x6	2x6	2x10	2x10	
Flexible copper conductor		mm <sup>2</sup>	2x4	2x4	2x6	2x6	

#### Normal service conditions:

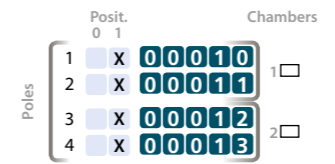
Ambient air temperature (°C): -5°...+40°. Maximum altitude: 2.000 m. Maximum humidity: 90%. Pollution degree: 3 (standard for industrial applications). Rated frequency at AC utilization categories: 50/60 Hz.  
Rated duties at utilization categories AC21A, AC22A and AC23A: Continuing (8 hours); uninterrupted.



#### Series | Amp

- CITP0016
- CITP0025
- CITP0032
- CITP0040
- CITR0032
- CITR0040

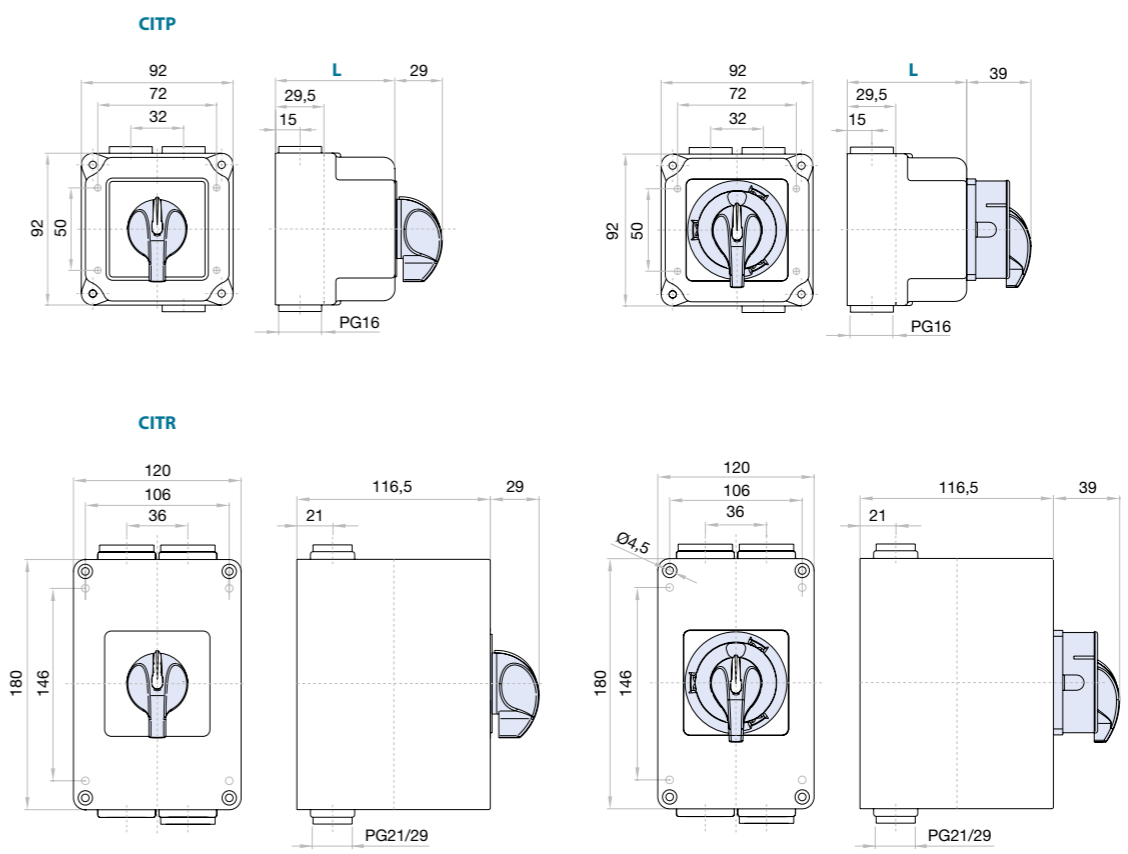
#### Diagram



#### Plate and handle



### Dimensions (mm)



L	Pisos	
	1 □	2 □
T16 T25	72	86
T32 T40	72	100

(in & out by cable gland - not included)

# CITR

## Enclosed cam switch IP65

(plastic enclosure)  
1P up to 4P

Size 2  
A 63|100  
Icons: Terminal block, IP65, 2P



CITR

### Technical information



According to IEC 60947-3

According to IEC 60947-3			CITR T63	CITR T100
Rated thermal current	Ith	A	80	125
Rated insulation voltage	Ui	V	690	690
Rated impulse withstand voltage	Uimp	kV	8	8
AC rated operational current	Ie	Ue 415V AC21A	80	125
		Ue 415V AC22A	80	115
		Ue 415V AC23A	63	100
Rated conditional short-circuit current		kA	15	15
Rated maximum current	gL-gG	A	80	125
Rated breaking capacity	400V; cos φ=0,45	A	504	640
Rated short-time withstand current (1 sec)		A	1600	2500
Mechanical durability (according to the standards, for other values please consult)			10000	8000
Rigid copper conductor		mm <sup>2</sup>	16/25 <sup>(*)</sup>	35/50 <sup>(*)</sup>
Flexible copper conductor		mm <sup>2</sup>	10/16 <sup>(*)</sup>	16/35 <sup>(*)</sup>

\*<sup>(1)</sup> With terminals for connection

#### Normal service conditions:

Ambient air temperature (°C): -5°...+40°. Maximum altitude: 2.000 m. Maximum humidity: 90%. Pollution degree: 3 (standard for industrial applications). Rated frequency at AC utilization categories: 50/60 Hz.

Rated duties at utilization categories AC21A, AC22A and AC23A: Continuing (8 hours); uninterrupted.

Code 1 2 3 4 5 6 7 8 9 10 11 12 13 14 15 16

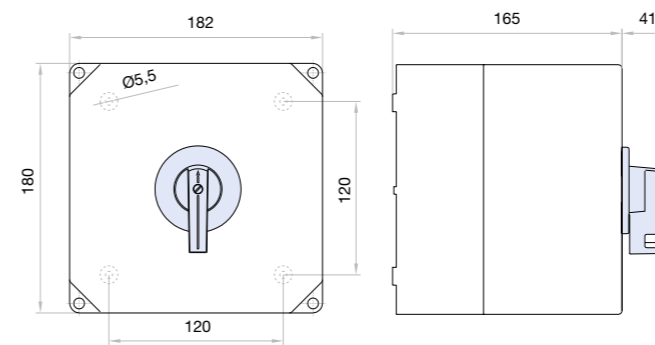
Serie | Amp  
CITR0063  
CITR0100

Diagram

Poles	Posit. 0 1	Chambers			
		1	2	3	4
1	X	00010			
2	X	00011			
3	X	00012			
4	X	00013			

Plate and handle  
9N0 9R0  
Padlockable handle

### Dimensions (mm)



(in & out by cable gland - not included)